

AC Isolated Switch

交流隔离开关



特性:

JHAS69隔离开关广泛用于产业控制机械及各种电器，能有效解决紧急断开、安全断开和机器控制，电动机控制等问题。

- 采用特殊银合金触点，电气寿命长，可靠性高。
- 体积小，节省安装空间。
- 具有保护手指的构造，使操作安全。
- 具备多种安装方式，便于适用各种用途（面板安装型、导轨安装型、密封开关盒型）。
- IP66防护等级。

Features:

JHAS69 isolation switch is widely used in industrial control machinery and various electrical appliances, and can effectively solve the problems of emergency disconnection, safety disconnection, machine control, motor control and so on.

- With alloy contacts, electrical special silver long life and high reliability.
- Small size, space-saving installation.
- Construct a protective finger to make the operation safe.
- With a variety of installation, ease of application of various purpose(panel mount, rail mount, sealed switch box type).
- IP66 degree of protection

型号及含义 Type and meaning

JHAS69 - PM 20 R - 3 RY 64

橡胶垫: 64:有, 空:无

手柄:
RY:红/黄旋转手柄
B:黑旋转手柄

极数: 3:3P, 4:4P

带锁方式:
R:旋转带锁 空:不带锁

额定电流(A):
20, 32, 40, 63, 80

安装形式:
PM, DC, LK, EL

隔离开关型号

Rubber Pad: 64:Yes Blank:No

Handle Options:
RY:Rotating red/yellow handle
B:Rotating black handle

Poles: 3:3P, 4:4P

Locking mode:
R:Rotating belt lock Blank:No lock

Rated Current(A):
20, 32, 40, 63, 80

Installation:
PM, DC, LK, EL

Type of AC Isolated Switch



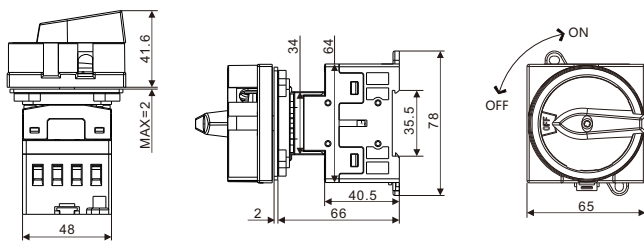
箱外操作导轨安装
Out of box operation
Guide rail installation



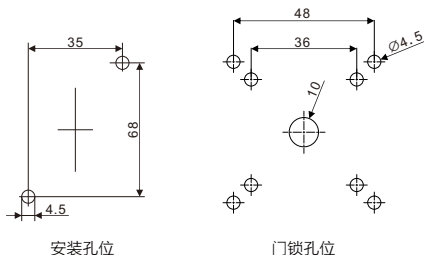
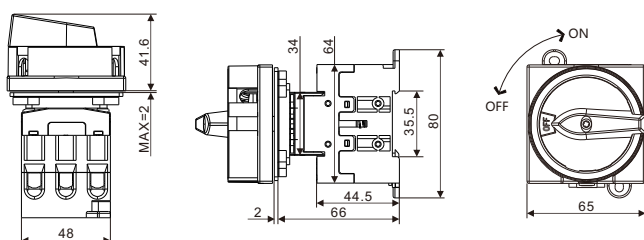
电流 Current	20A	32A	40A	63A	80A	
型号 Type	JHAS69-PM20R-4RY64	JHAS69-PM32R-4RY64	JHAS69-PM40R-4RY64	JHAS69-PM63R-3RY64	JHAS69-PM80R-3RY64	
额定通电流 Rated carry current	20A	32A	40A	63A	80A	
额定工作电流 Rated operating current AC-23A	16A	25A	32A	45A	45A	
额定工作电流 Rated operating current AC-3	12A	23A	30A	37A	37A	
额定控制功率P Rated power control AC-23A	240V	4KW	7.5KW	9KW	15KW	15KW
	440V	7.5KW	12.5KW	16KW	22KW	22KW
额定控制功率P Rated power control AC-3	240V	3KW	5.5KW	7.5KW	11KW	11KW
	440V	5.5KW	11KW	15KW	18.5KW	18.5KW
UL-CSA 基准马达负载(HP) Motor load	240V	3KW	5KW	5KW	10KW	10KW
	440V	7.5KW	10KW	10KW	20KW	20KW
短时耐受电流(Icw) Rated short-time withstand current	250A	400A	500A	600A	850A	
可以连接电线(mm ²) Connect wires	0.5-10MM ²			1-16MM ²		
装配螺丝扭矩 (N·m) Screw torque	0.8-1.7N·m			1.5-2N·m		
额定绝缘电压 Rated insulation voltage	690V					

参考尺寸 Reference Dimension

4Poles 20-40A



3Poles 63-80A



安装孔位

门锁孔位

图中含3种安装方式:
A: 4孔,中心距48(无垫片)
B: 4孔,中心距36(4孔垫片)

AC Isolated Switch

交流隔离开关



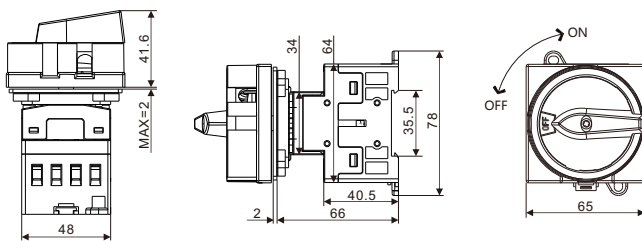
箱外操作导轨安装
Out of box operation
Guide rail installation



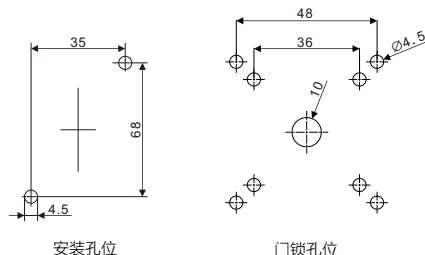
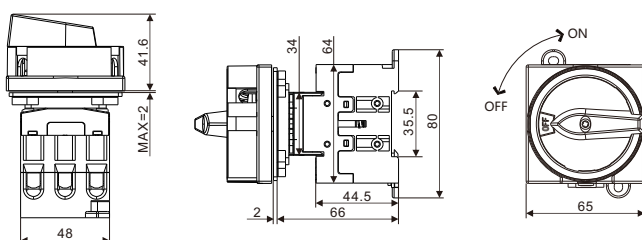
电流 Current		20A	32A	40A	63A	80A
型号 Type		JHAS69-PM20R-4B64	JHAS69-PM32R-4B64	JHAS69-PM40R-4B64	JHAS69-PM63R-3B64	JHAS69-PM80R-3B64
额定通电流 Rated carry current		20A	32A	40A	63A	80A
额定工作电流 Rated operating current AC-23A		16A	25A	32A	45A	45A
额定工作电流 Rated operating current AC-3		12A	23A	30A	37A	37A
额定控制功率P Rated power control AC-23A	240V	4KW	7.5KW	9KW	15KW	15KW
	440V	7.5KW	12.5KW	16KW	22KW	22KW
额定控制功率P Rated power control AC-3	240V	3KW	5.5KW	7.5KW	11KW	11KW
	440V	5.5KW	11KW	15KW	18.5KW	18.5KW
UL-CSA 基准马达负载(HP) Motor load	240V	3KW	5KW	5KW	10KW	10KW
	440V	7.5KW	10KW	10KW	20KW	20KW
短时耐受电流(Icw) Rated short-time withstand current		250A	400A	500A	600A	850A
可以连接电线(mm ²) Connect wires		0.5-10MM ²			1-16MM ²	
装配螺丝扭矩 (N·m) Screw torque		0.8-1.7N·m			1.5-2N·m	
额定绝缘电压 Rated insulation voltage		690V				

参考尺寸 Reference Dimension

4Poles 20-40A



3Poles 63-80A



安装孔位

门锁孔位

图中含3种安装方式:
A: 4孔,中心距48(无垫片)
B: 4孔,中心距36(4孔垫片)

AC Isolated Switch

交流隔离开关



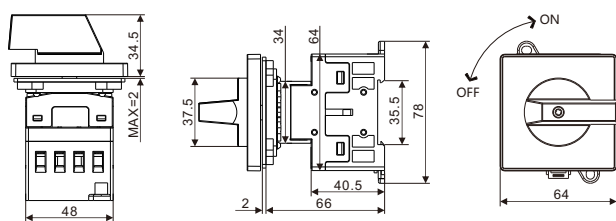
箱外操作导轨安装
Out of box operation
Guide rail installation



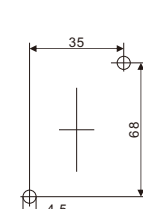
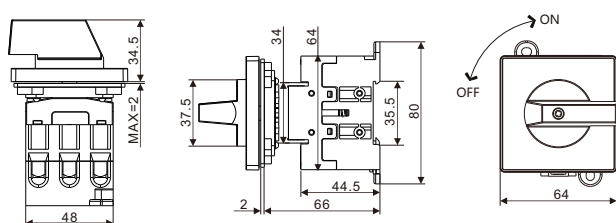
电流 Current	20A	32A	40A	63A	80A
型号 Type	JHAS69-PM20-4	JHAS69-PM32-4	JHAS69-PM40-4	JHAS69-PM63-3	JHAS69-PM80-3
额定通电流 Rated carry current	20A	32A	40A	63A	80A
额定工作电流 Rated operating current AC-23A	16A	25A	32A	45A	45A
额定工作电流 Rated operating current AC-3	12A	23A	30A	37A	37A
额定控制功率P Rated power control AC-23A	240V	4KW	7.5KW	9KW	15KW
	440V	7.5KW	12.5KW	16KW	22KW
额定控制功率P Rated power control AC-3	240V	3KW	5.5KW	7.5KW	11KW
	440V	5.5KW	11KW	15KW	18.5KW
UL-CSA 基准马达负载(HP) Motor load	240V	3KW	5KW	5KW	10KW
	440V	7.5KW	10KW	10KW	20KW
短时耐受电流(Icw) Rated short-time withstand current	250A	400A	500A	600A	850A
可以连接电线(mm ²) Connect wires	0.5-10MM ²			1-16MM ²	
装配螺丝扭矩 (N·m) Screw torque	0.8-1.7N·m			1.5-2N·m	
额定绝缘电压 Rated insulation voltage	690V				

参考尺寸 Reference Dimension

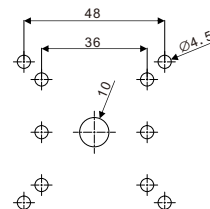
4Poles 20-40A



3Poles 63-80A



安装孔位



门锁孔位

图中含3种安装方式:
A: 4孔,中心距48(无垫片)
B: 4孔,中心距36(4孔垫片)
C: 2孔,中心距36(2孔垫片)

AC Isolated Switch

交流隔离开关

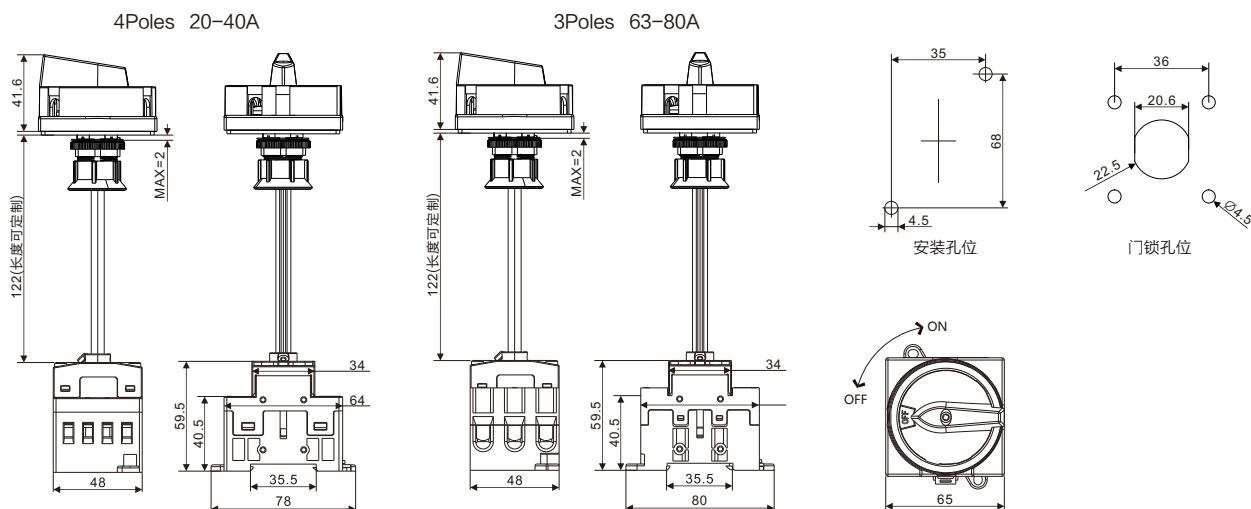


箱外操作导轨安装
Out of box operation
Guide rail installation



电流 Current		20A	32A	40A	63A	80A
型号 Type		JHAS69-DC20R-4RY64	JHAS69-DC32R-4RY64	JHAS69-DC40R-4RY64	JHAS69-DC63R-3RY64	JHAS69-DC80R-3RY64
额定通电流 Rated carry current		20A	32A	40A	63A	80A
额定工作电流 Rated operating current AC-23A		16A	25A	32A	45A	45A
额定工作电流 Rated operating current AC-3		12A	23A	30A	37A	37A
额定控制功率P Rated power control AC-23A	240V	4KW	7.5KW	9KW	15KW	15KW
	440V	7.5KW	12.5KW	16KW	22KW	22KW
额定控制功率P Rated power control AC-3	240V	3KW	5.5KW	7.5KW	11KW	11KW
	440V	5.5KW	11KW	15KW	18.5KW	18.5KW
UL-CSA 基准马达负载(HP) Motor load	240V	3KW	5KW	5KW	10KW	10KW
	440V	7.5KW	10KW	10KW	20KW	20KW
短时耐受电流(Icw) Rated short-time withstand current		250A	400A	500A	600A	850A
可以连接电线(mm ²) Connect wires		0.5-10MM ²			1-16MM ²	
装配螺丝扭矩 (N·m) Screw torque		0.8-1.7N·m			1.5-2N·m	
额定绝缘电压 Rated insulation voltage		690V				

参考尺寸 Reference Dimension



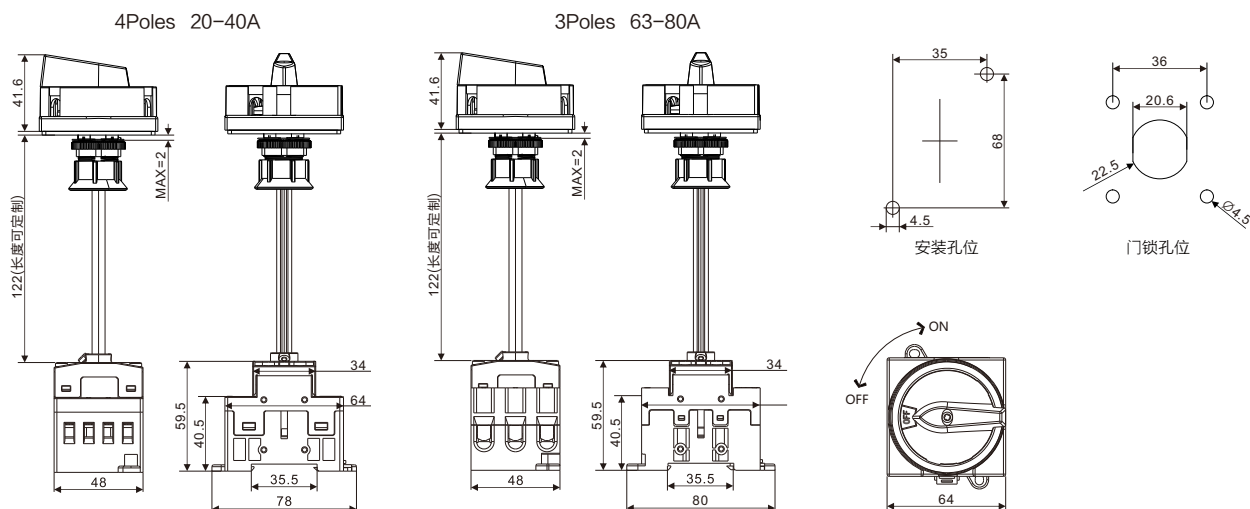


箱外操作导轨安装
Out of box operation
Guide rail installation



电流 Current	20A	32A	40A	63A	80A	
型号 Type	JHAS69-DC20R-4B64	JHAS69-DC32R-4B64	JHAS69-DC40R-4B64	JHAS69-DC63R-3B64	JHAS69-DC80R-3B64	
额定通电流 Rated carry current	20A	32A	40A	63A	80A	
额定工作电流 Rated operating current AC-23A	16A	25A	32A	45A	45A	
额定工作电流 Rated operating current AC-3	12A	23A	30A	37A	37A	
额定控制功率P Rated power control AC-23A	240V	4KW	7.5KW	9KW	15KW	15KW
	440V	7.5KW	12.5KW	16KW	22KW	22KW
额定控制功率P Rated power control AC-3	240V	3KW	5.5KW	7.5KW	11KW	11KW
	440V	5.5KW	11KW	15KW	18.5KW	18.5KW
UL-CSA 基准马达负载(HP) Motor load	240V	3KW	5KW	5KW	10KW	10KW
	440V	7.5KW	10KW	10KW	20KW	20KW
短时耐受电流(Icw) Rated short-time withstand current	250A	400A	500A	600A	850A	
可以连接电线(mm ²) Connect wires	0.5-10MM ²			1-16MM ²		
装配螺丝扭矩 (N·m) Screw torque	0.8-1.7N·m			1.5-2N·m		
额定绝缘电压 Rated insulation voltage	690V					

参考尺寸 Reference Dimension



AC Isolated Switch

交流隔离开关

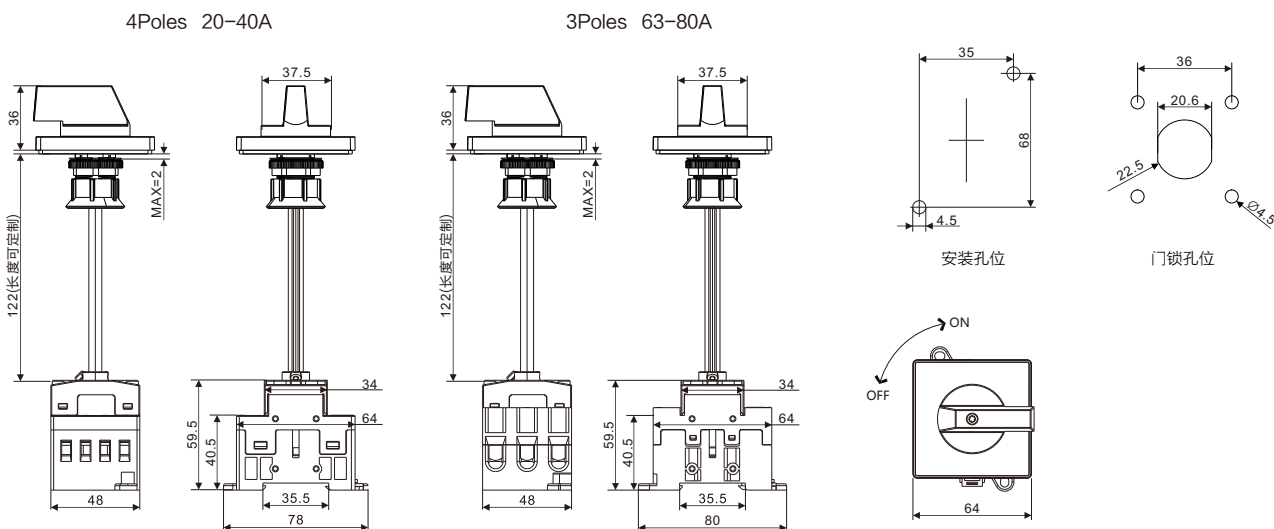


箱外操作导轨安装
Out of box operation
Guide rail installation



电流 Current		20A	32A	40A	63A	80A
型号 Type		JHAS69-DC20-4	JHAS69-DC32-4	JHAS69-DC40-4	JHAS69-DC63-3	JHAS69-DC80-3
额定通电流 Rated carry current		20A	32A	40A	63A	80A
额定工作电流 Rated operating current AC-23A		16A	25A	32A	45A	45A
额定工作电流 Rated operating current AC-3		12A	23A	30A	37A	37A
额定控制功率P Rated power control AC-23A	240V	4KW	7.5KW	9KW	15KW	15KW
	440V	7.5KW	12.5KW	16KW	22KW	22KW
额定控制功率P Rated power control AC-3	240V	3KW	5.5KW	7.5KW	11KW	11KW
	440V	5.5KW	11KW	15KW	18.5KW	18.5KW
UL-CSA 基准马达负载(HP) Motor load	240V	3KW	5KW	5KW	10KW	10KW
	440V	7.5KW	10KW	10KW	20KW	20KW
短时耐受电流(Icw) Rated short-time withstand current		250A	400A	500A	600A	850A
可以连接电线(mm ²) Connect wires		0.5-10MM ²			1-16MM ²	
装配螺丝扭矩 (N·m) Screw torque		0.8-1.7N·m			1.5-2N·m	
额定绝缘电压 Rated insulation voltage		690V				

参考尺寸 Reference Dimension



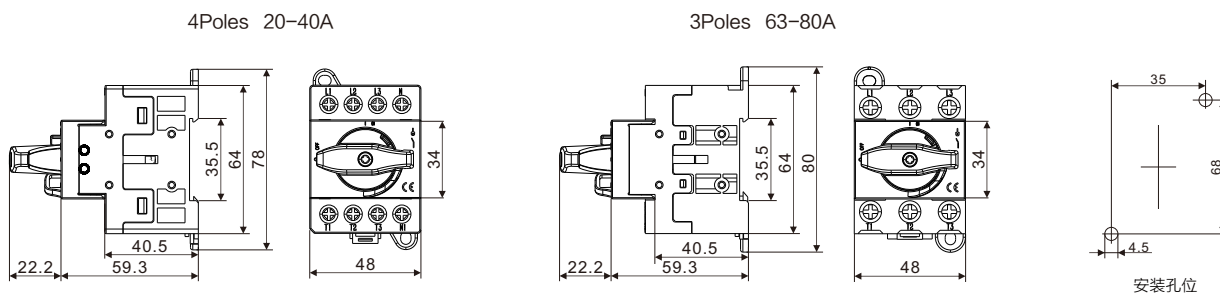


箱内操作导轨安装
Inside the box operation
Guide rail installation



电流 Current	20A	32A	40A	63A	80A	
型号 Type	JHAS69-LK20-4RY	JHAS69-LK32-4RY	JHAS69-LK40-4RY	JHAS69-LK63-3RY	JHAS69-LK80-3RY	
额定通电流 Rated carry current	20A	32A	40A	63A	80A	
额定工作电流 Rated operating current AC-23A	16A	25A	32A	45A	45A	
额定工作电流 Rated operating current AC-3	12A	23A	30A	37A	37A	
额定控制功率P Rated power control AC-23A	240V	4KW	7.5KW	9KW	15KW	15KW
	440V	7.5KW	12.5KW	16KW	22KW	22KW
额定控制功率P Rated power control AC-3	240V	3KW	5.5KW	7.5KW	11KW	11KW
	440V	5.5KW	11KW	15KW	18.5KW	18.5KW
UL-CSA 基准马达负载(HP) Motor load	240V	3KW	5KW	5KW	10KW	10KW
	440V	7.5KW	10KW	10KW	20KW	20KW
短时耐受电流(Icw) Rated short-time withstand current	250A	400A	500A	600A	850A	
可以连接电线(mm ²) Connect wires	0.5-10MM ²			1-16MM ²		
装配螺丝扭矩 (N·m) Screw torque	0.8-1.7N·m			1.5-2N·m		
额定绝缘电压 Rated insulation voltage	690V					

参考尺寸 Reference Dimension



AC Isolated Switch

交流隔离开关

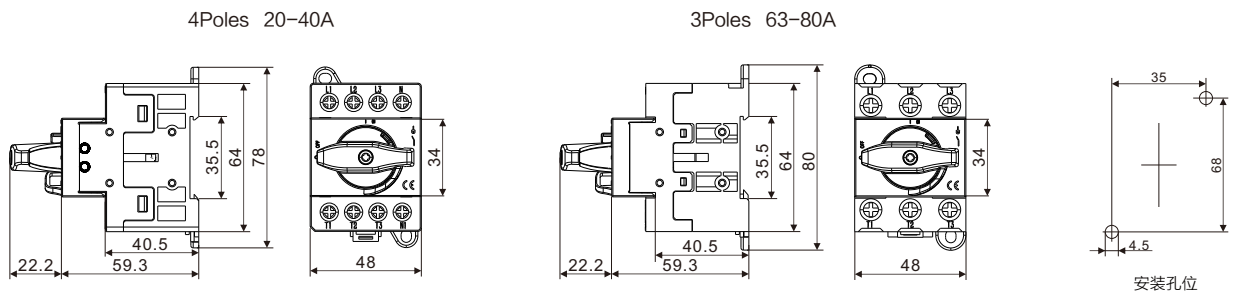


箱外操作导轨安装
Out of box operation
Guide rail installation



电流 Current		20A	32A	40A	63A	80A
型号 Type		JHAS69-LK20-4	JHAS69-LK32-4	JHAS69-LK40-4	JHAS69-LK63-3	JHAS69-LK80-3
额定通电流 Rated carry current		20A	32A	40A	63A	80A
额定工作电流 Rated operating current AC-23A		16A	25A	32A	45A	45A
额定工作电流 Rated operating current AC-3		12A	23A	30A	37A	37A
额定控制功率P Rated power control AC-23A	240V	4KW	7.5KW	9KW	15KW	15KW
	440V	7.5KW	12.5KW	16KW	22KW	22KW
额定控制功率P Rated power control AC-3	240V	3KW	5.5KW	7.5KW	11KW	11KW
	440V	5.5KW	11KW	15KW	18.5KW	18.5KW
UL-CSA 基准马达负载(HP) Motor load	240V	3KW	5KW	5KW	10KW	10KW
	440V	7.5KW	10KW	10KW	20KW	20KW
短时耐受电流(Icw) Rated short-time withstand current		250A	400A	500A	600A	850A
可以连接电线(mm ²) Connect wires		0.5-10MM ²			1-16MM ²	
装配螺丝扭矩 (N·m) Screw torque		0.8-1.7N·m			1.5-2N·m	
额定绝缘电压 Rated insulation voltage		690V				

参考尺寸 Reference Dimension



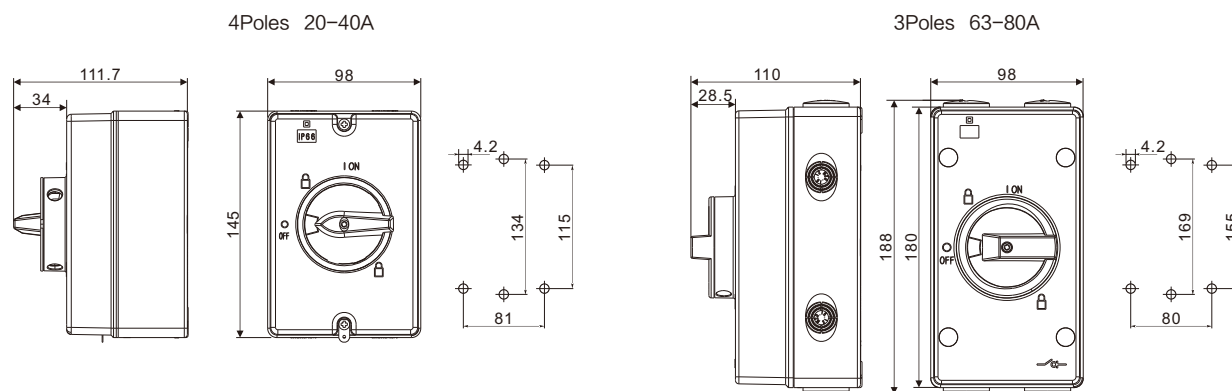


防水盒安装
Waterproof box installation



电流 Current	20A	32A	40A	63A	80A	
型号 Type	JHAS69-EL20R-4	JHAS69-EL32R-4	JHAS69-EL40R-4	JHAS69-EL63R-3	JHAS69-EL80R-3	
额定通电流 Rated carry current	20A	32A	40A	63A	80A	
额定工作电流 Rated operating current AC-23A	16A	25A	32A	45A	45A	
额定工作电流 Rated operating current AC-3	12A	23A	30A	37A	37A	
额定控制功率P Rated power control AC-23A	240V	4KW	7.5KW	9KW	15KW	15KW
	440V	7.5KW	12.5KW	16KW	22KW	22KW
额定控制功率P Rated power control AC-3	240V	3KW	5.5KW	7.5KW	11KW	11KW
	440V	5.5KW	11KW	15KW	18.5KW	18.5KW
UL-CSA 基准马达负载(HP) Motor load	240V	3KW	5KW	5KW	10KW	10KW
	440V	7.5KW	10KW	10KW	20KW	20KW
短时耐受电流(Icw) Rated short-time withstand current	250A	400A	500A	600A	850A	
可以连接电线(mm ²) Connect wires	0.5-10MM ²			1-16MM ²		
装配螺丝扭矩 (N·m) Screw torque	0.8-1.7N·m			1.5-2N·m		
额定绝缘电压 Rated insulation voltage	690V					

参考尺寸 Reference Dimension



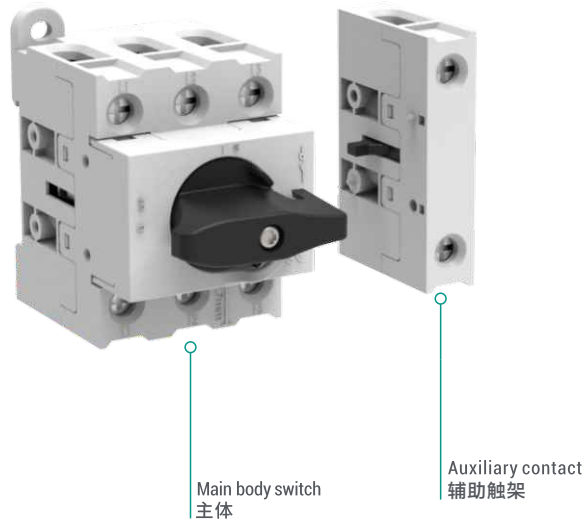
AC Isolated Switch

交流隔离开关



附件 Accessory

无需工具即可安装和拆下辅助触架，操作简单快速。
Mounting and removal of auxiliary contact are quick and simple without tools.



11



附加辅助触架

JHAS69系列交流隔离开关采用同一种辅助触架，辅助触架于开关主极同时动作。

Add-on Auxiliary Contacts:

One only add-on block suitable for all the JHAS69 **AC Isolated Switch**, having **simultaneous operation with the switch poles**.

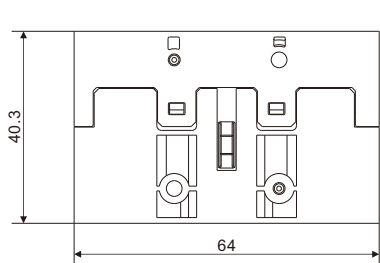
外形 Appearance	型号 Type	额定工作电流 Rated operation current	适用于 Applied to	回路图 Circuit diagram
	JHAC69-ACC01	80A	JHAS69	
	JHAC69-ACC02	80A	JHAS69	
	JHAC69-ACC03	-	JHAS69	



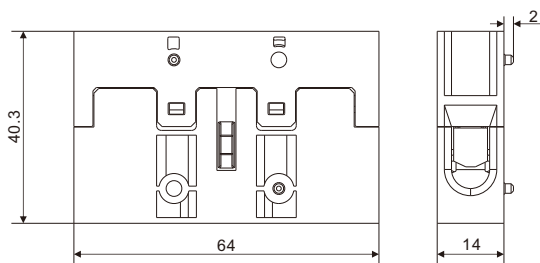
AC Isolated Switch

交流隔离开关

参考尺寸 Reference Dimension



JHAC69-ACC01/02



JHAC69-ACC03